

# SUNNY TRIPOWER CORE2

## STP 110-60



STP 110-60



**SMA ShadeFix**  
STRING LEVEL OPTIMIZATION

Premium monitoring service **SMA**  
**SMART CONNECTED**



### More flexibility

- For large rooftop and ground-mounted systems up to the MW range
- 12 MPP trackers
- 24 strings with 1100 V<sub>DC</sub> Sunclix connector

### More power

- 110 kW for standard 400 V<sub>AC</sub>
- Fast commissioning without additional DC combiners
- Peak efficiency of 98.6%

### More yield

- Premium monitoring service for reliable system performance
- Maximum yields thanks to the integrated software solution SMA ShadeFix

### More system integration

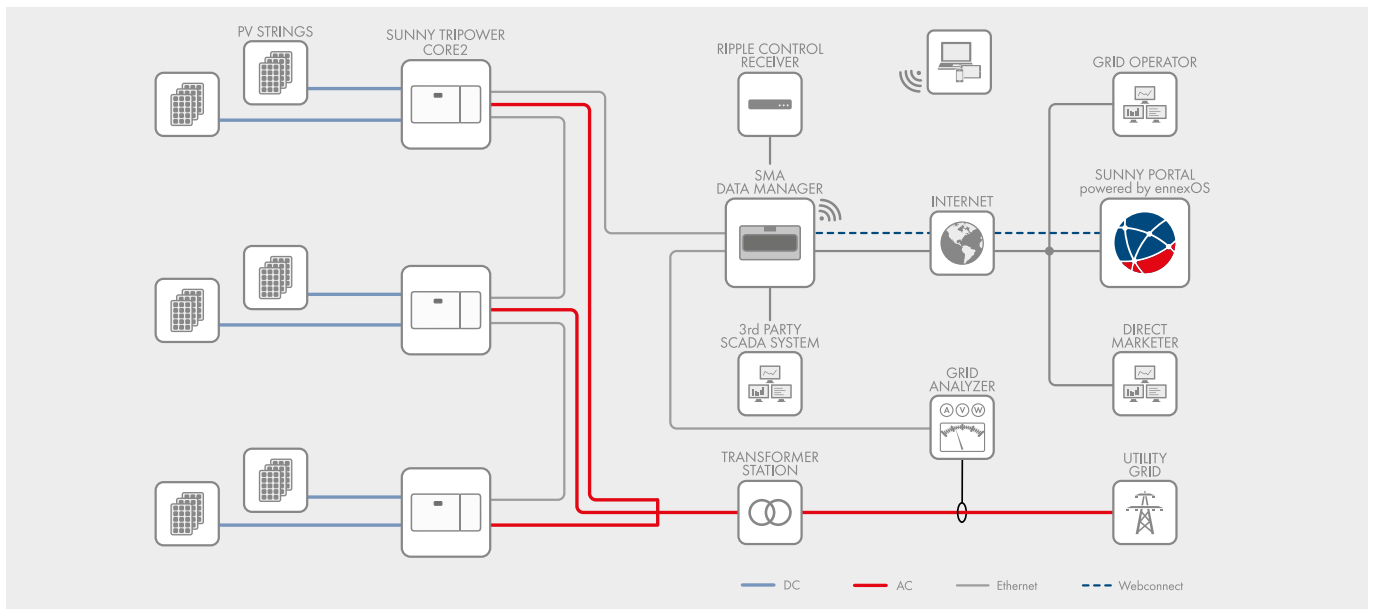
- Flexible and future-proof expansion in the SMA Energy System Business
- Holistic energy management with ennexOS
- High IT security

## SUNNY TRIPOWER CORE2

Flexible system design and highest yields thanks to integrated features

Flexible system design for larger commercial PV systems: The Sunny Tripower CORE2 is the ideal inverter for decentralized system structures up to the megawatt range. With 110 kilowatts, 24 strings and 12 MPP trackers, the Sunny Tripower CORE2 allows for a particularly high solar coverage in ground-mounted PV systems as well as at different roof pitches during the day. The integrated SMA ShadeFix software solution automatically optimizes system performance anytime, even with partially shaded modules. The automatic monitoring service SMA Smart Connected also ensures maximum PV system yields by detecting failures as fast as possible.

With the Sunny Tripower CORE2 as a central component of the SMA Energy System Business, installers and PV system operators will benefit from the high-quality components from a single source and future-proof options to expand their systems by SMA storage solutions.



Technical data	Sunny Tripower CORE2
<b>Input (DC)</b>	
Max. PV array power	165000 Wp STC
Max. input voltage	1100 V
MPP voltage range	500 V to 800 V
Rated input voltage	585 V
Min. input voltage / Start input voltage	200 V / 250 V
Max. input current per MPP tracker / Max. short-circuit current per MPP tracker	26 A / 40 A
Number of independent MPP trackers / Strings per MPP tracker	12 / 2
<b>Output (AC)</b>	
Rated power at nominal voltage	110000 W
Max. apparent AC power	110000 VA
Nominal AC voltage	400 V
AC voltage range	320 V to 460 V
AC grid frequency / range	50 Hz / 45 Hz to 55 Hz 60 Hz / 55 Hz to 65 Hz
Rated grid frequency	50 Hz
Max. output current	159 A
Power factor at rated power / displacement power factor adjustable	1 / 0.8 overexcited to 0.8 underexcited
Harmonic (THD)	< 3%
Feed-in phases / AC connection	3 / 3-PE
<b>Efficiency</b>	
Max. efficiency / European efficiency	98.6% / 98.4%
<b>Protective devices</b>	
Input-side disconnection device	●
Ground fault monitoring / grid monitoring / DC reverse polarity protection	● / ● / ●
AC short-circuit current capability / galvanically isolated	● / -
All-pole sensitive residual-current monitoring unit	●
Monitored surge arrester (type II) AC / DC	● / ●
Protection class (according to IEC 62109-1) / overvoltage category (according to IEC 62109-1)	I / AC: III; DC: II
<b>General data</b>	
Dimensions (W / H / D)	1117 mm / 682 mm / 363 mm (44.0 in / 26.9 in / 14.3 in)
Weight	93.5 kg (206.1 lbs)
Operating temperature range	-30 °C to +60 °C (-22 °F to +140 °F)
Noise emission, typical	< 65 db(A)
Self-consumption (at night)	< 5 W
Topology / cooling concept	Transformerless / active cooling
Degree of protection (according to IEC 60529)	IP66
Max. permissible value for relative humidity (non-condensing)	100%
<b>Features / functions / accessories</b>	
DC connection / AC connection	Sunclix / terminal lug (up to 240 mm <sup>2</sup> )
LED display (Status / Fault / Communication)	●
Ethernet interface	● (2 ports)
Data interface	Web Interface / Modbus SunSpec
Mounting type	Wall mounting / rack mounting
Warranty: 5 / 10 / 15 / 20 years	● / ○ / ○ / ○
Certificates and approvals (selection)	IEC 62109-1/-2, EN50549-1/-2:2018, VDE-AR-N 4105/4110/4120:2018, IEC 62116, IEC 61727, C10/C11 LV2/MV1:2018, CEI 0-16:2019, AS/NZS 4777.2, SI 4777, TOR Generator Typ A/B
● Standard features ○ Optional features - not available Data at nominal conditions Status 08/2020	
Type designation	STP 110-60